



／

# VERISURF Unique, All-Inclusive INSPECTION SOLUTION

# VERISURF SPECIAL OFFER



**Master3DGage™**  
AFFORDABLE, PORTABLE CMM

## Special offer includes:

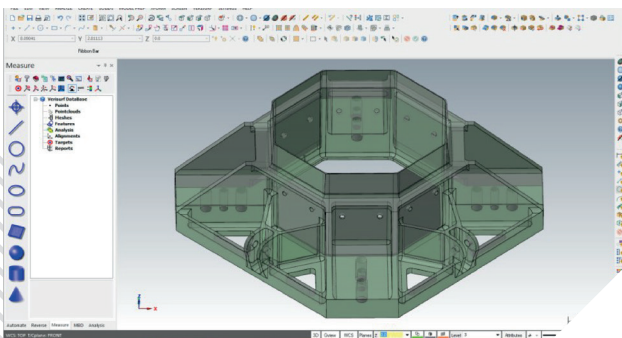
- Verisurf Software Inspection Suite
- 2 years software maintenance
- 3 month subscription to Verisurf online training
- Master3DGage portable CMM
- 1 year hardware warranty
- Master3DGage and Verisurf installation and setup video

Tel: **+353 (0)45 435 457**

Email: [software@engtechgroup.com](mailto:software@engtechgroup.com)

Web: [www.etgireland.ie](http://www.etgireland.ie)

▲ Resolve quality issues in real-time, reduce scrap, improve efficiency



# VERISURF BRINGS YOU A COMPLETE INDUSTRIAL INSPECTION SOLUTION IN ONE, AFFORDABLE SYSTEM

That means you get everything you need to efficiently perform common, manufacturing inspection tasks using high-quality, portable CMM hardware - seamlessly integrated with Verisurf's industry-leading Inspection Suite.

The system includes: the Master3DGgage portable CMM arm, the Verisurf Inspection Suite, online training through Verisurf University, telephone technical support, and all maintenance. That's everything you'll need to quickly deploy the system and begin enjoying the benefits of improved workload throughput.



## Verisurf Inspection Suite

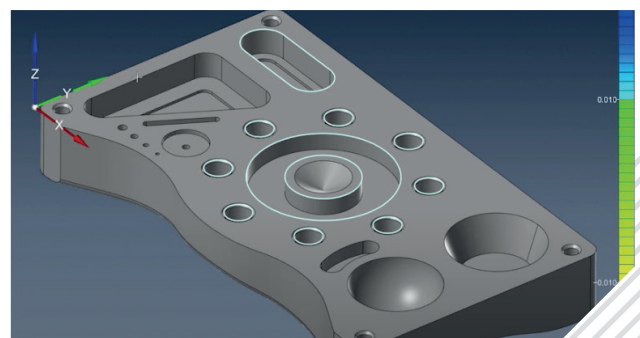
Quickly verify finished parts against nominal 3D CAD data or blueprints. Complete first article inspections and generate meaningful reports in minutes.



- Extensive CMM arm and laser tracker support
- Fast, easy device-to-part alignment
- Extensive geometry file type read ability
- Inspect to blueprints or nominal CAD
- Annotate and edit associative GD&T
- Extensive report customization and export
- Build and save inspection routines with Auto Inspect

▲ The Verisurf Inspection Suite includes Verisurf CAD & Verisurf Measure

Continued »





The flexibility of Master3DGage™ makes it ideal for inspection. The multi-axis CMM arm features absolute encoders for quick start-up and ultra-high precision measurements while its highly articulated wrist enables you to measure hard to access surfaces by reaching around and under parts. The Master3DGage portable CMM system includes:

### Portable measuring arm

- Master3DGage™ articulated arm PCMM
- 6-Axis 1.2m (4 ft.)
- Ergonomic counterweight design
- USB and power cables, Universal worldwide voltage 110V-240V, CE compliant
- Quick setup guide and mouse pad
- Calibration certificate
- Internal lithium-ion battery and Wi-fi
- Anodized aluminum training part
- Rugged, 3-handle, wheeled transport case
- 1-year hardware warranty

### Standard probes

- 3mm ruby, 6mm ruby, 15mm steel spherical hard probes (including case)
- Quick disconnect, hot swappable with automatic probe identification

### Certified qualification sphere

- Size  $\pm 0.0005\text{mm}$  (0.00002 in.)
- Spherical within 0.0001mm (0.000005 in.)



### Laboratory-traceable length bar

- Certified length standard, 305mm (12 in.) with ISO 17025 certificate

### For more information, see:

- Inspection Suite:  
[www.verisurf.com/solution-suites/inspection](http://www.verisurf.com/solution-suites/inspection)
- Master3DGage:  
[www.verisurf.com/hardware/master3dgage](http://www.verisurf.com/hardware/master3dgage)

### See a Verisurf inspection Suite demo with Master3DGage here:



Visit our YouTube channel  
[www.youtube.com/verisurf](http://www.youtube.com/verisurf)

Request Quote: [software@engtechgroup.com](mailto:software@engtechgroup.com)



# Making Engineers Champions...

+44 (0)1926 818 418



engtechgroup.com



sales@engtechgroup.com



## THE ENGINEERING TECHNOLOGY GROUP

Wellesbourne Distribution Park, Unit 16  
Loxley Road, Wellesbourne, Warwickshire, CV35 9JY

+353 (0)45 435457



etgireland.ie



salesireland@engtechgroup.com



## THE ENGINEERING TECHNOLOGY GROUP - IRELAND

Unit 17, Newbridge Industrial Estate  
Athgarvan Rd, Newbridge, Co. Kildare, Ireland

+44 (0)24 7699 3153



hyfore.com



sales@hyfore.com



## HYFORE WORKHOLDING

Unit 3, 67 Blackhorse Road,  
Longford, Coventry, CV6 6DP